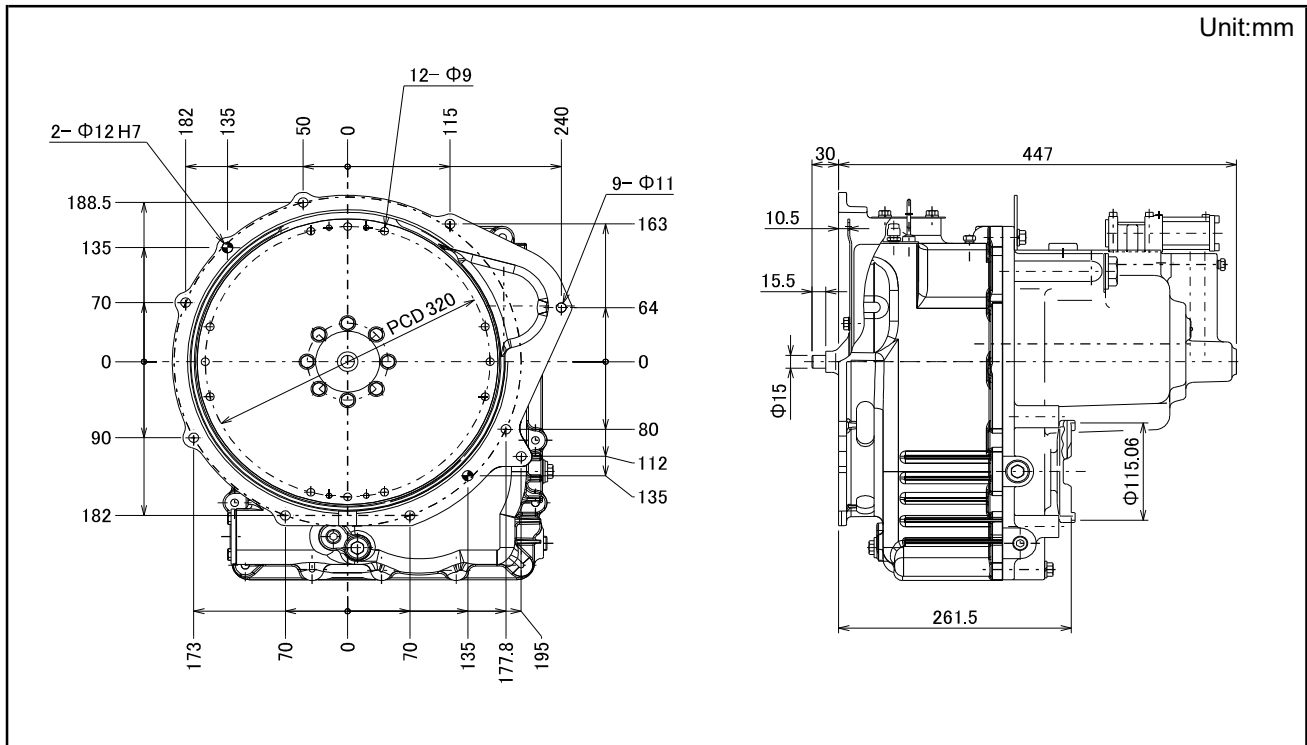


TRANSMISSION Y43280

for GSE (Ground Support Equipments) in airport service

Applications : Conveyor belt loaders, Passenger steps



Specifications

Model	Y43280	
Applicable engine spec. (gross)		
Allowable max input power	kW	48
Allowable max engine torque	Nm	225
Allowable max input speed	r/min	2800
Examples of applicable engine	ISUZU C240, 4LE2, 4JG2 CUMMINS QSF2.8, B3.3, A2300 KOHLER KDI1903TCR YANMAR 4TNE92, 4TNE98, 4TNV94 Kubota V2403 NISSAN K21, K25	
Torque Converter		
Stall torque ratio / Stall capacity	3.0 / 35	
PTO (Power Take Off)	Without	
Transmisson		
Reduction gear ratio Forward / Reverse	2.178 / 2.235	
Output flange rotation	Forward ... Reverse ...	Counterclockwise viewd from output flange Clockwise viewd from output flange
Shift type	Electric (DC12V)	
Dry mass	kg	Approx. 120

** The specifications may be changed without notice.