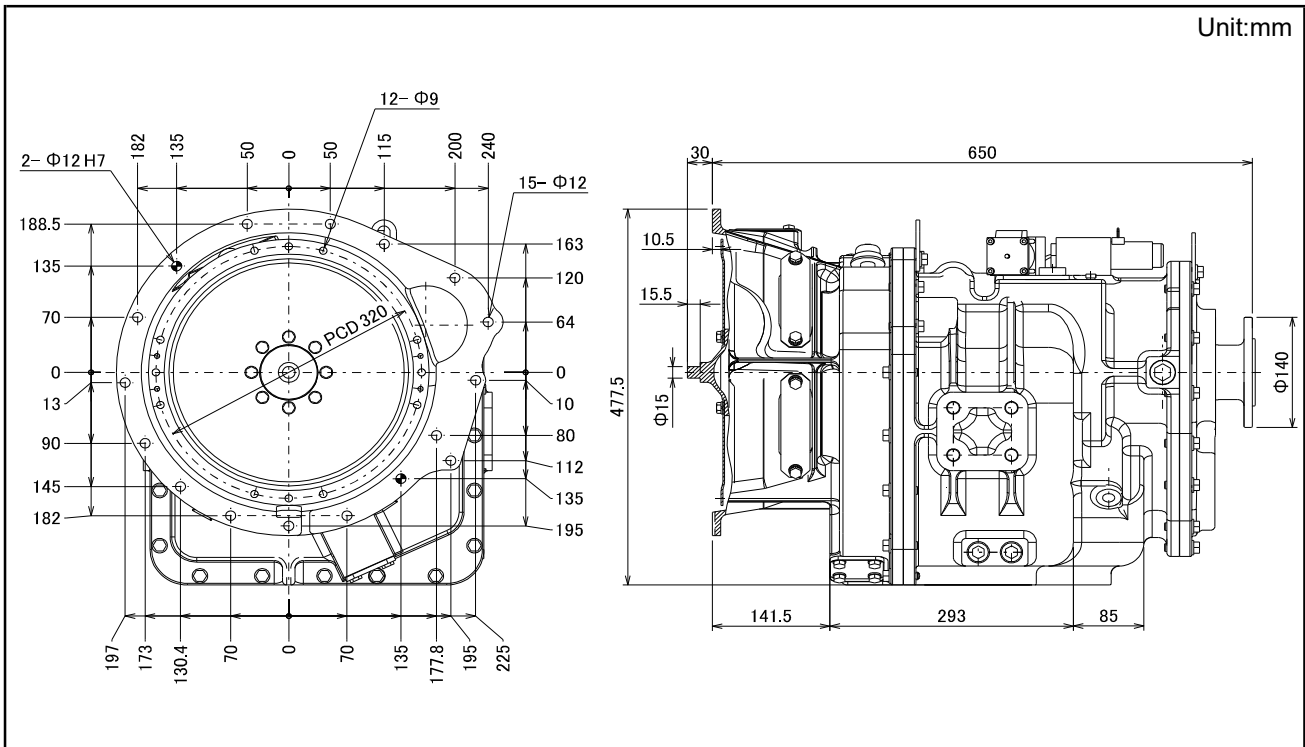


# TRANSMISSION TT25 series for GSE (Ground Support Equipments) in airport service

**Applications :** 20000-30000N drawbar pull Tow tractors, Passenger steps



**Specification**

<b>Model</b>	TT25 series	
<b>Applicable engine spec. (gross)</b>		
Allowable max input power	kW	56
Allowable max engine torque	Nm	300
Allowable max input speed	r/min	2800
Examples of applicable engine	ISUZU C240, 4LE2, 4JG2 CUMMINS QSF2.8, B3.3 KOHLER KDI1903TCR, KDI2504TCR YANMAR 4TNE92, 4TNE98, 4TNV94, 4TNV98 Kubota V2403, V3600 NISSAN K21, K25	
<b>Torque Converter</b>		
Stall torque ratio / Stall capacity	3.0 / 35	
<b>PTO (Power Take Off)</b>	Without	
<b>Transmisson</b>		
Reduction gear ratio F1 / F2 / R	2.91 / 1.56 / 2.23 (std.) 3.07 / 2.14 / 2.40 3.57 / 1.78 / 2.73	
Output flange rotation	Forward ...	Counterclockwise viewd from output flange
	Reverse ...	Clockwise viewd from output flange
Shift type	Electric (DC12V)	
Dry mass	kg	Approx. 190

\*\* The specifications may be changed without notice.